



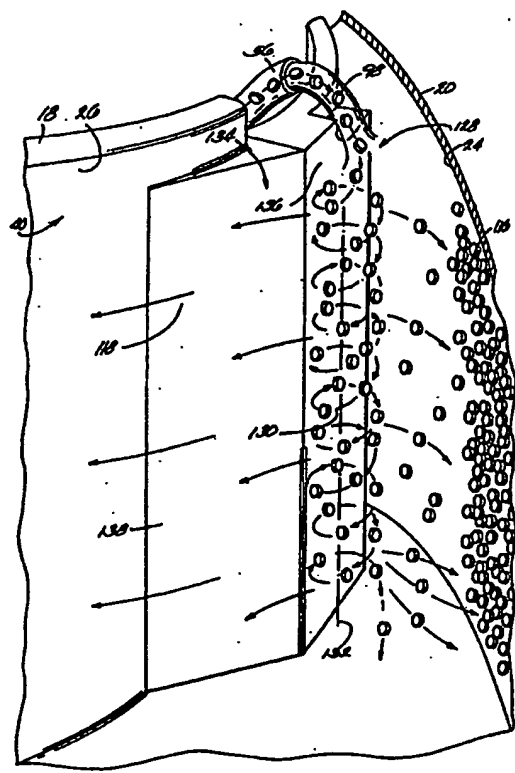
INTERNATIONAL APPLICATION PUBLISHED UNDER THE PATENT COOPERATION TREATY (PCT)

<p>(51) International Patent Classification ⁶ : B01D 21/26</p>	<p>A1</p>	<p>(11) International Publication Number: WO 96/40404 (43) International Publication Date: 19 December 1996 (19.12.96)</p>
<p>(21) International Application Number: PCT/US96/07806 (22) International Filing Date: 22 May 1996 (22.05.96) (30) Priority Data: 08/472,513 7 June 1995 (07.06.95) US (71) Applicant: BAXTER INTERNATIONAL INC. [US/US]; One Baxter Parkway, Deerfield, IL 60015 (US). (72) Inventors: BROWN, Richard, I.; 2335 Peach Tree Lane, Northbrook, IL 60062 (US). PRISCO, Michael, R.; 1149 Lahuerta Circle, Aurora, IL 60505 (US). (74) Agents: PRICE, Bradford, R., L. et al.; One Baxter Parkway, Deerfield, IL 60015 (US).</p>	<p>(81) Designated States: AU, CA, JP, NO, European patent (AT, BE, CH, DE, DK, ES, FI, FR, GB, GR, IE, IT, LU, MC, NL, PT, SE). Published <i>With international search report.</i></p>	

(54) Title: ENHANCED YIELD BLOOD PROCESSING SYSTEMS AND METHODS ESTABLISHING CONTROLLED VORTEX FLOW CONDITIONS

(57) Abstract

Blood processing systems and methods create dynamic vortex flow conditions (130) within a processing chamber (40) by conveying blood into a separation path that extends circumferentially about the rotational axis along an entry path that extends generally parallel to the rotational axis. The vortex flow conditions perfuse blood into the separation path for separation into component parts. The systems and methods confine the vortex flow pattern along the entry path by reducing the radial width of the entry path.



FOR THE PURPOSES OF INFORMATION ONLY

Codes used to identify States party to the PCT on the front pages of pamphlets publishing international applications under the PCT.

AM	Armenia	GB	United Kingdom	MW	Malawi
AT	Austria	GE	Georgia	MX	Mexico
AU	Australia	GN	Guinea	NE	Niger
BB	Barbados	GR	Greece	NL	Netherlands
BE	Belgium	HU	Hungary	NO	Norway
BF	Burkina Faso	IE	Ireland	NZ	New Zealand
BG	Bulgaria	IT	Italy	PL	Poland
BJ	Benin	JP	Japan	PT	Portugal
BR	Brazil	KE	Kenya	RO	Romania
BY	Belarus	KG	Kyrgyzstan	RU	Russian Federation
CA	Canada	KP	Democratic People's Republic of Korea	SD	Sudan
CF	Central African Republic	KR	Republic of Korea	SE	Sweden
CG	Congo	KZ	Kazakhstan	SG	Singapore
CH	Switzerland	LI	Liechtenstein	SI	Slovenia
CI	Côte d'Ivoire	LK	Sri Lanka	SK	Slovakia
CM	Cameroon	LR	Liberia	SN	Senegal
CN	China	LT	Lithuania	SZ	Swaziland
CS	Czechoslovakia	LU	Luxembourg	TD	Chad
CZ	Czech Republic	LV	Latvia	TG	Togo
DE	Germany	MC	Monaco	TJ	Tajikistan
DK	Denmark	MD	Republic of Moldova	TT	Trinidad and Tobago
EE	Estonia	MG	Madagascar	UA	Ukraine
ES	Spain	ML	Mali	UG	Uganda
FI	Finland	MN	Mongolia	US	United States of America
FR	France	MR	Mauritania	UZ	Uzbekistan
GA	Gabon			VN	Viet Nam

**ENHANCED YIELD BLOOD PROCESSING SYSTEMS
AND METHODS ESTABLISHING CONTROLLED
VORTEX FLOW CONDITIONS**

5 Related Applications

 This application is a continuation-in-part of U.S. Patent Application Serial Number 07/814,403 entitled "Centrifuge with Separable Bowl and Spool Elements Providing Access to the Separation Chamber," filed December 23, 1991. This application is also a continuation-in-part of U.S. Patent Application Serial Number 07/748,244 entitled "Centrifugation Pheresis System," filed August 21, 1991, which is itself a continuation of U.S. Patent Application Serial No. 07/514,995, filed May 26, 1989, which is itself a continuation of U.S. Patent Application Serial No. 07/009,179, filed January 30, 1987 (now U.S. Patent 4,834,890).

20 Field of the Invention

 The invention relates to centrifugal processing systems and apparatus.

Background of the Invention

25 Today blood collection organizations routinely separate whole blood by centrifugation into its various therapeutic components, such as red blood cells, platelets, and plasma.

 Conventional blood processing systems and methods use durable centrifuge equipment in association with single use, sterile processing

30

chambers, typically made of plastic. The centrifuge equipment introduces whole blood into these chambers while rotating them to create a centrifugal field.

5 Whole blood separates within the rotating chamber under the influence of the centrifugal field into higher density red blood cells and platelet-rich plasma. An intermediate layer of leukocytes forms an interface between the red blood cells and platelet-rich plasma.

10 In conventional blood separation systems and methods, platelets lifted into suspension in the PRP can settle back upon the interface. The platelets settle, because the radial velocity of the plasma undergoing separation is not enough to keep
15 the platelets in suspension. Lacking sufficient radial flow, the platelets fall back and settle on the interface. This reduces processing efficiencies, lowering the effective yield of platelets.

20 Summary of the Invention

The invention provides improved blood processing systems and methods that create unique dynamic flow conditions within the processing chamber.

25 The systems and methods rotate first and second spaced apart side walls forming a separation zone about a rotational axis. The first wall is closer to the rotational axis than the second wall. The separation zone defines a separation path having
30 a radial width and which extends generally circumferentially about the axis of rotation. The systems and methods convey blood into the separation zone along an entry path that extends generally parallel to the axis of rotation. This establishes
35 a vortex flow pattern in the entry path that

perfuses blood into the separation path for separation into component parts. The systems and methods confine the vortex flow pattern along the entry path to reduce shear stress on the platelets by providing in the first wall a stepped-up ridge along the entry path, thereby reducing the radial width of the entry path.

In a preferred embodiment, the systems and methods direct the perfusion of blood from the stepped-up ridge toward the first wall along a tapered surface that leads to the separation path.

Other features and advantages of the invention will become apparent upon reviewing the following specification, drawings, and appended claims.

Brief Description of the Drawings

Fig. 1 is a side section view of a blood centrifuge having a separation chamber that embodies features of the invention;

Fig. 2 shows the spool element associated with the centrifuge shown in Fig. 1, with an associated processing container wrapped about it for use;

Fig. 3 is a top view of the processing chamber shown in Fig. 2;

Fig. 4A is a perspective view of the centrifuge shown in Fig. 1, with the bowl and spool elements pivoted into their access position;

Fig. 4B is a perspective view of the bowl and spool elements in their mutually separation condition to allow securing the processing container shown in Fig. 2 about the spool element;

Fig. 5 is a perspective view of centrifuge shown in Fig. 1, with the bowl and spool elements pivoted into their operational position;

Fig. 6 is an enlarged perspective view of a portion of the processing container shown in Fig. 3 secured to the spool element of the centrifuge, also showing the orientation of the ports serving the interior of the processing chamber and certain surface contours of the spool element;

Fig. 7 is a somewhat diagrammatic view of the interior of the processing chamber, looking from the low-G wall toward the high-G wall in the region where whole blood enters the processing chamber for separation into red blood cells and platelet-rich plasma, and where platelet-rich plasma is collected in the processing chamber;

Fig. 8 is a diagrammatic top view of the separation chamber of the centrifuge shown in Fig. 1, laid out to show the radial contours of the high-G and low-G walls;

Fig. 9 is a perspective interior view of the bowl element, showing the two regions where the high-G wall is not iso-radial;

Figs. 10 to 12 are perspective exterior views of the spool element, showing the sequential non-iso-radial regions about the circumference of the low-G wall;

Fig. 13 is a top view of the spool element positioned within the bowl element, showing the orientation of the high-G and low-G walls along the separation chamber;

Figs. 14 to 16 somewhat diagrammatically show a portion of the platelet-rich plasma collection zone in the separation chamber, in which the high-G wall surface forms a tapered wedge for containing and controlling the position of the interface between the red blood cells and platelet-rich plasma;

Figs. 17 to 19 show the importance of slanting the tapered wedge with respect to the axis of the platelet-rich plasma collection port;

5 Fig. 20 is a somewhat diagrammatic view of the interior of the processing chamber, looking from the high-G wall toward the low-G wall in the region where platelet-rich plasma begins its separation into platelet concentrate and platelet-poor plasma, showing the formation of optimal vortex flow pattern
10 for perfusing platelet-rich plasma during separation;

Figs. 21 and 22 are views like Fig. 20, showing the formation of less than optimal vortex flow patterns; and

15 Fig. 23 is a top view of a bowl element and a spool element that embody features of the invention showing radii to major surface regions defined circumferentially on them.

The invention may be embodied in several
20 forms without departing from its spirit or essential characteristics. The scope of the invention is defined in the appended claims, rather than in the specific description preceding them. All em-
25 bodiments that fall within the meaning and range of equivalency of the claims are therefore intended to be embraced by the claims.

Description of the Preferred Embodiments

Fig. 1 shows a blood centrifuge 10 having a blood processing chamber 12 with enhanced platelet
30 separation efficiencies. The boundaries of the chamber 12 are formed by a flexible processing container 14 carried within an annular gap 16 between a rotating spool element 18 and bowl element
20. In the illustrated and preferred embodiment,
35 the processing container 14 takes the form of an

elongated tube (see Fig. 3), which is wrapped about the spool element 18 before use, as Fig. 2 shows.

5 Further details of this centrifuge construction are set forth in U.S. Patent 5,370,802, entitled "Enhanced Yield Platelet Systems and Methods," which is incorporated herein by reference.

10 The bowl and spool elements 18 and 20 are pivoted on a yoke 22 between an upright position, as Figs. 4A/4B show, and a suspended position, as Figs. 1 and 5 show.

When upright (see Fig. 4A), the bowl and spool elements 18 and 20 are presented for access by the user. A mechanism permits the spool and bowl elements 18 and 20 to assume a mutually separated position, as Fig. 4B shows. In this position, the spool element 18 is at least partially out of the interior area of the bowl element 20 to expose the exterior spool surface for access. When exposed, the user can wrap the container 14 about the spool element 20 (as Fig. 2 shows). Pins 150 on the spool element 20 (see, e.g., Figs. 6; 10; and 11) engage cutouts on the container 14 to secure the container 14 on the spool element 20.

20 The mechanism (not shown) also permits the spool and bowl elements 18 and 20 to assume a mutually cooperating position, as Fig. 4A shows. In this position, the spool element 20 and the secured container 14 are enclosed within the interior area of the bowl element 18.

30 Further details of the mechanism for causing relative movement of the spool and bowl elements 18 and 20 as just described are disclosed in U.S. Patent 5,360,542 entitled "Centrifuge With Separable Bowl and Spool Elements Providing Access to the Separation Chamber," which is incorporated

35

herein by reference.

When closed, the spool and bowl elements 18 and 20 can be pivoted into a suspended position, as Figs. 1 and 5 show. When suspended, the bowl and spool elements 18 and 20 are in position for operation.

In operation, the centrifuge 10 rotates the suspended bowl and spool elements 18 and 20 about an axis 28, creating a centrifugal field within the processing chamber 12.

The radial boundaries of the centrifugal field (see Fig. 1) are formed by the interior wall 24 of the bowl element 18 and the exterior wall 26 of the spool element 20. The interior bowl wall 24 defines the high-G wall. The exterior spool wall 26 defines the low-G wall.

An umbilicus 30 (see Fig. 1) communicates with the interior of the processing container 14 within the centrifugal field and with pumps and other stationary components located outside the centrifugal field. A non-rotating (zero omega) holder 32 holds the upper portion of the umbilicus 30 in a non-rotating position above the suspended spool and bowl elements 18 and 20. A holder 34 on the yoke 22 rotates the mid-portion of the umbilicus 30 at a first (one omega) speed about the suspended spool and bowl elements 18 and 20. Another holder 36 rotates the lower end of the umbilicus 30 at a second speed twice the one omega speed (the two omega speed), at which the suspended spool and bowl elements 18 and 20 also rotate. This known relative rotation of the umbilicus 30 keeps it untwisted, in this way avoiding the need for rotating seals.

As the spool and bowl elements 18 and 20 rotate about the axis 28, blood is introduced into

the container 14 through the umbilicus 30. The blood follows a circumferential flow path within the container 14 about the rotational axis 28. When conveying blood, the sidewalls of the container 14 expand to conform to the profiles of the exterior (low-G) wall 26 of the spool element 18 and the interior (high-G) wall 24 of the bowl element 20.

In the illustrated and preferred embodiment (see Figs. 2 and 3), the processing container 14 is divided into two functionally distinct processing compartments 38 and 40. More particularly (see Figs. 2 and 3), a first peripheral seal 42 forms the outer edge of the container. A second interior seal 44 extends generally parallel to the rotational axis 28, dividing the container 14 into the first processing compartment 38 and the second processing compartment 40.

Three ports 46/48/50 attached to tubing extending from the umbilicus 30 communicate with the first compartment 38. Two additional ports 52 and 54 attached to tubing extending from the umbilicus 30 communicate with the second compartment 40.

As Fig. 6 best shows, the five ports 46 to 54 are arranged side-by-side along the top transverse edge of the container 14. When the container 14 is secured to the spool element 18, the ports 46 to 54 are all oriented parallel to the axis of rotation 28. The upper region of the exterior wall 26 spool element 18 includes a lip region 56 against which the ports 46 to 54 rest when the container 14 is secured to the spool element 18 for use. Fig. 10 also shows the lip region 56. The lip region 56 extends along an arc of equal radius from the axis of rotation 28. Thus, all ports 46 to 54 open into the compartments 38 and 40 at the same

radial distance from the rotational axis 28.

Each processing compartment 38 and 40 serves a separate and distinct separation function, as will now be described in greater detail.

5 Separation in the First Processing Compartment

10 The first compartment 38 receives whole blood (WB) through the port 48. As Fig. 7 best shows, the whole blood separates in the centrifugal field within the first compartment 38 into red blood
15 cells (RBC, designated by numeral 96), which move toward the high-G wall 24, and platelet-rich plasma (PRP, designated by numeral 98), which are displaced by movement of the RBC 96 toward the low-G wall 26. The port 50 (see Figs. 3 and 6) conveys RBC 96 from
20 the first compartment 38, while the port 46 conveys PRP 98 from the first compartment 38.

25 In the first processing compartment 38, an intermediate layer, called the interface (designed by numeral 58) (see Fig. 7), forms between the RBC 96 and PRP 98. Absent efficient separation conditions,
30 platelets can leave the PRP 98 and settle on the interface 58, thereby lessening the number of platelets in PRP 98 conveyed by the port 46 from the first compartment 38.

35 The first compartment 38 (see Figs. 3 and 7) includes a third interior seal 60 located between the PRP collection port 48 and the WB inlet port 50. The third seal 60 includes a first region 62, which is generally parallel to the rotational axis 28. The third seal also includes a dog-leg portion 64, which bends away from the WB inlet port 48 in the direction of circumferential WB flow in the first compartment 38. The dog-leg portion 64 terminates beneath the inlet of the PRP collection port 48.

 The first compartment 38 (see Fig. 3) also

includes a fourth interior seal 66 located between the WB inlet port 48 and the RBC collection port 50. Similar to the third seal 60, the fourth seal 66 includes a first region 68, which is generally parallel to the rotational axis 28, and a dog-leg portion 70, which bends away from the RBC collection port 52 in the direction of circumferential WB flow in the first compartment 38. The dog-leg portion 70 of the fourth seal 66 extends beneath and beyond the dog-leg portion 64 of the third seal 60. The dog-leg portion 70 terminates near the longitudinal side edge of the first compartment 38 opposite to the longitudinal side edge formed by the second interior seal 44.

Together, the third and fourth interior seals 60 and 66 form a WB inlet passage 72 that first extends along the axis of rotation and then bends to open in the direction of intended circumferential flow within the first compartment 38, there defining a WB entry region 74, of which Fig. 7 shows an interior view). The third interior seal 60 also forms a PRP collection region 76 within the first compartment 38, of which Fig. 7 also shows an interior view.

As Fig. 7 best shows, the WB entry region 74 is next to the PRP collection region 76. This close juxtaposition creates dynamic flow conditions that sweep platelets into the PRP collection region 76.

More particularly, the velocity at which the RBC 96 settle toward the high-G wall 24 in response to centrifugal force is greatest in the WB entry region 74 than elsewhere in the first compartment 38. Further details of the distribution of RBC 96 during centrifugation in a chamber are set

forth in Brown, "The Physics of Continuous Flow Centrifugal Cell Separation," Artificial Organs, 13(1):4-20 (1989).

5 There is also relatively more plasma volume to displace toward the low-G wall 26 in the WB entry region 74. As a result, relatively large radial plasma velocities toward the low-G wall 26 occur in the WB entry region 74. These large radial velocities toward the low-G wall 26 elute large numbers of platelets from the RBC 96 into the close-
10 by PRP collection region 76.

Together, the fourth interior seal 66, the second interior seal 44, and the lower regions of the first peripheral seal 42 form a RBC collection passage 78 (see Fig. 3). The RBC collection passage 78 extends first along the axis of rotation 28 and then bends in a circumferential path to open near the end of the intended WB circumferential flow path, which comprises a RBC collection region 80.
15

20 As Fig. 8 shows, the contoured surface of the exterior wall 26 of the spool element 18 bounding the low-G side of the first compartment 38 continuously changes in terms of its radial distance from the rotational axis 28. At no time does the exterior (low-G) wall 26 of the spool element 18
25 comprise an iso-radial contour with respect to the rotational axis 28. On the other hand, the surface of the interior (high-G) wall 24 of the bowl element 20 bounding the high-G side of the first compartment is iso-radial with respect to the rotational axis
30 28, except for two localized, axially aligned regions in the first compartment 38, where the radial contours change. The juxtaposition of these contoured surfaces on the exterior (low-G) wall 26
35 of the spool element 18 and the interior (high-G)

wall of the bowl element 20 bounding the first compartment 38 further enhance the separation conditions that the interior structure of the compartment 38 create.

5 More particularly, the juxtaposed surface contours of the high-G and low-G walls 24 and 26 create a first dynamic flow zone 82 in the PRP collection region 76 of the first compartment 38. There, the contour of the high-G wall 24 forms a
10 tapered wedge (see Fig. 9) comprising first and second tapered surfaces 84 and 86. These surfaces 24 project from the high-G wall 24 toward the low-G wall 26. The slope of the first tapered surface 84 is less than the slope of the second tapered surface
15 86; that is, the second tapered surface 86 is steeper in pitch than the first tapered surface 84.

 Radially across from the tapered surfaces 84 and 86, the contour of the low-G exterior wall 26 of the spool element 18 forms a flat surface 88 (see
20 Figs. 10 and 13). In terms of its radial dimensions (which Fig. 8 shows), the flat surface 88 first decreases and then increases in radius in the direction of WB flow in the first compartment 38. The flat surface 88 thereby presents a decrease and
25 then an increase in the centrifugal field along the low-G wall 26. The flat surface 88 provides clearance for the first and second tapered surfaces 84 and 86 to accommodate movement of the spool and bowl elements 18 and 20 between their mutually
30 separated and mutually cooperating positions. The flat surface 88 also creates a second dynamic flow zone 104 in cooperation with a flat surface 106 facing it on the high-G wall 24 in the WB entry region 74 (see Fig. 9), as will be described in
35 greater detail later.

As Figs. 14 to 16 show, the facing first surface 84 and flat surface 88 in the first zone 82 form a constricted passage 90 along the low-G wall 26, along which the PRP 98 layer extends. As shown diagrammatically in Figs. 14 to 16, the tapered surface 86 diverts the fluid flow along the high-G wall 24 of the first compartment 38, keeping the interface 58 and RBC 96 away from the PRP collection port 46, while allowing PRP 98 to reach the PRP collection port 46.

This flow diversion also changes the orientation of the interface 58 within the PRP collection region 76. The second tapered surface 86 displays the interface 26 for viewing through a side wall of the container by an associated interface controller (not shown). Further details of a preferred embodiment for the interface controller 134 are described in U.S. Patent 5,316,667, which is incorporated herein by reference.

The interface controller monitors the location of the interface 58 on the tapered surface 86. As Figs. 14 to 16 show, the position of the interface 58 upon the tapered surface 86 can be altered by controlling the relative flow rates of WB, the RBC 96, and the PRP through their respective ports 48, 50, and 46. The controller 134 varies the rate at which PRP 98 is drawn from the first compartment 38 to keep the interface 58 at a prescribed preferred location on the tapered surface 86 (which Fig. 15 shows), away from the constricted passage 90 that leads to the PRP collection port 46. Alternatively, or in combination, the controller 134 could control the location of the interface 58 by varying the rate at which WB is introduced into the first compartment 38, or the rate at which RBC are

conveyed from the first compartment 134, or both.

In the illustrated and preferred embodiment (see Figs. 17 to 19), the major axis 94 of the tapered surface 86 is oriented at a non-parallel angle α with respect to the axis 92 of the PRP port 46. The angle α is greater than 0° (i.e., when the surface axis 94 is parallel to the port axis 92, as Fig. 17 shows), but is preferably less than about 45° , as Fig. 19 shows. Most preferably, the angle α is about 30° .

When the angle α is at or near 0° (see Fig. 17), the boundary of the interface 58 between RBC 96 and PRP 98 is not uniform along the tapered surface 86. Instead, the boundary of the interface 58 bulges toward the tapered surface 84 along the region of the surface 86 distant to the port 46. RBC 96 spill into the constricted passage 90 and into the PRP 98 exiting the PRP port 46.

When the angle α is at or near 45° (see Fig. 19), the boundary of the interface 58 between RBC 96 and PRP 98 is also not uniform along the tapered surface 86. Instead, the boundary of the interface 58 bulges toward the tapered surface 84 along the region of the surface 86 close to the port 46. RBC 96 again spill into constricted passage 90 and into the PRP 98 exiting the PRP port 46.

As Fig. 18 shows, by presenting the desired angle α , the collected PRP 98 is kept essentially free of RBC 96 and leukocytes.

The juxtaposed surface contours of the high-G and low-G walls 24 and 26 further create a second dynamic flow zone 104 in the WB entry region 74 of the first compartment 38. There, the contour of the high-G wall 24 forms a flat surface 106 (see Fig. 9) spaced along the rotational axis 28 below

the tapered surfaces 84 and 86. The flat surface 106 also faces the already described flat surface 88 on the low-G wall 26 (see Fig. 13). In terms of its radial dimensions (which Fig. 8 shows), the flat surface 106 on the high-G wall 24 first decreases and then increases in radius in the direction of WB flow in the first compartment 38. The flat surface 106 thereby presents a decrease and then an increase in the centrifugal field along the high-G wall 24.

The boundaries of the first and second zones 82 and 104 are generally aligned in an axial direction with each other on the high-G wall 24 (see Fig. 7), as well as radially aligned with the boundaries of the flat surface 88 on the low-G wall 26 (see Fig. 13). The first and second zones 82 and 104 therefore circumferentially overlap in a spaced relationship along the axis of rotation 28 in the first compartment 38.

This juxtaposition of the two zones 82 and 104 enhances the dynamic flow conditions in both the WB entry region 74 and PRP collection region 76. The radially opposite flat surfaces 88 and 106 of the second zone 104 form a flow-restricting dam on the high-G wall 24 of the WB entry region 74. Flow of WB in the WB inlet passage 72 is generally confused and not uniform (as Fig. 7 shows). The zone dam 104 in the WB entry region 74 restricts WB flow to a reduced passage 108, thereby causing more uniform perfusion of WB into the first compartment 38 along the low-G wall 26.

The juxtaposition of the first and second zones 82 and 104 places this uniform perfusion of WB adjacent to the PRP collection region 76 and in a plane that is approximately the same as the plane in which the preferred, controlled position of the

interface 58 lies. Once beyond the constricted passage 108 of the zone dam 104, the RBC 96 rapidly move toward the high-G wall 24 in response to centrifugal force.

5 The constricted passage 108 of the zone dam
104 brings WB into the entry region 74 at
approximately the preferred, controlled height of
the interface 58. WB brought into the entry region
74 below or above the controlled height of the
10 interface 58 will immediately seek the interface
height and, in so doing, oscillate about it, causing
unwanted secondary flows and perturbations along the
interface 58. By bringing the WB into the entry
region 74 approximately at interface level, the zone
15 dam 104 reduces the incidence of secondary flows and
perturbations along the interface 58.

The juxtaposed surface contours of the
high-G and low-G walls 24 and 26 further create a
third dynamic flow zone 110 beyond the WB entry
20 region 74 and the PRP collection region 76 of the
first compartment 38. There (see Figs. 8, 10 and
11), the surface 111 of the low-G wall 26 tapers
outward away from the axis of rotation 28 toward the
high-G wall 24 in the direction of WB flow. In this
25 zone 110, the high-G wall surface 113 across from
the surface 111 retains a constant radius.

This juxtaposition of contours along the
high-G and low-G walls 24 and 26 produces a dynamic
circumferential plasma flow condition generally
30 transverse the centrifugal force field in the
direction of the PRP collection region 76. The
circumferential plasma flow condition in this
direction continuously drags the interface 58 back
toward the PRP collection region 76, where the
35 higher radial plasma flow conditions already

described exist to sweep even more platelets off the interface 58. Simultaneously, the counterflow patterns serve to circulate the other heavier components of the interface 58 (the lymphocytes, monocytes, and granulocytes) back into the RBC mass, away from the PRP 98 stream.

The juxtaposed surface contours of the high-G and low-G walls 24 and 26 further create a fourth dynamic flow zone 112 in the RBC collection region 80 of the first compartment 38. There, the surface 115 of the low-G wall 26 steps radially toward the high-G wall 24, while the high-G wall 24 remains iso-radial. This juxtaposition of the high-G and low-G walls 24 and 26 creates a stepped-up barrier zone 112 in the RBC collection region 80. The stepped-up barrier zone 112 extends into the RBC mass along the high-G wall 24, creating a restricted passage 114 between it and the facing, iso-radial high-G wall 24 (see Fig. 8). The restricted passage 114 allows RBC 96 present along the high-G wall 24 to move beyond the barrier zone 112 for collection by the RBC collection passage 78. Simultaneously, the stepped-up barrier zone 112 blocks the passage of the PRP 98 beyond it, keeping the PRP 98 within the dynamic flow conditions created by the first, second, and third zones 82, 104, and 110.

As Fig. 3 shows, the dog leg portion 70 of the RBC collection passage 78 is also tapered. Due to the taper, the passage 78 presents a greater cross section in the RBC collection region 80. The taper of the dog leg portion 70 is preferably gauged relative to the taper of the low-G wall 26 in the third flow zone 110 to keep fluid resistance within the passage 78 relatively constant, while maximizing the available separation and collection areas

outside the passage 78. The taper of the dog leg portion 70 also facilitates the removal of air from the passage 78 during priming.

Separation in the Second Processing Compartment

5 The second processing compartment 40 receives PRP 98 from the first processing compartment 38 through the port 56 (of which Fig. 20 shows an interior view). The PRP 98 separates in the centrifugal field within the second compartment 10 40 into platelet concentrate (PC, designated by numeral 116), which moves toward the high-G wall 24, and platelet-poor plasma (PPP, designated by numeral 118), which is displaced by the moving PC toward the low-G wall 26. The port 54 conveys PPP 118 from the 15 second compartment 40. The PC 116 remains in the second compartment 40 for later resuspension and transport to an external storage container.

 The second compartment 40 (see Fig. 3) includes a fifth interior seal 120 between the PRP 20 inlet port 56 and the PPP collection port 54. The fifth seal 120 extends in a first region 122 generally parallel to the second seal 44 and then bends away in a dog-leg 124 in the direction of circumferential PRP flow within the second 25 compartment 40. The dog-leg portion 124 terminates near the longitudinal side edge of the second compartment 40 opposite to the longitudinal side edge formed by the second interior seal 90.

 The fifth interior seal 120, the second 30 interior seal 90, and the lower regions of the first peripheral seal 42 together form a PPP collection passage 126. The PPP collection passage 126 receives PPP at its open end and from there channels the PPP to the PPP collection port 54.

35 PRP enters the second compartment 40 in a

PRP entry region 128 (see Fig. 20). The PRP enters the region 128 through the port 56 in an axial path. The PRP departs the region 128 in a circumferential path toward the opposite longitudinal side edge. This creates within the PRP entry region 128 a vortex flow pattern 130 (see Fig. 20), called a Taylor column. The vortex flow pattern 130 circulates about an axis 132 that is generally parallel to the rotational axis 28 and stretches from the outlet of the port 56 longitudinally across the circumferential flow path of the chamber 40. The vortex region flow pattern 130 perfuses the PPP into the desired circumferential flow path for separation into PC 116 and PPP 118 in a sixth flow zone 140 located beyond the PRP entry region 128.

In the illustrated and preferred embodiment, the surface of the low-G wall 26 is contoured to create a fifth dynamic flow zone 134 in the PRP entry region 128. The flow zone 134 controls the perfusion effects of the vortex flow pattern 130.

More particularly, in the fifth flow zone 134, the surface of the low-G wall 26 steps radially toward the high-G wall 24 to form a stepped-up ridge 136 in the PRP entry region 128 (see Figs. 8; 13; and 20). In the fifth flow zone 134, the low-G wall then radially recedes away from the high-G wall 24 to form a tapered surface 138 leading from the ridge 136 in the direction of circumferential PRP flow. The high-G wall 24 remains iso-radial throughout the fifth flow zone 134, and the remainder of the second compartment 40.

The stepped up ridge 136 reduces the radial width of the PRP entry region 128. The reduced radial width reduces the strength of the vortex flow

pattern 130, thus lowering the shear rate and subsequent shear stress on the platelets. The reduced radial width also reduces the time that platelets dwell in the vortex flow pattern 130. By both reducing shear stress and exposure time to such shear stress, the reduced radial width reduces the likelihood of damage to platelets.

The reduced radial width also creates a vortex flow pattern 130 that is more confined, compared to the flow pattern 130' with a less radially confined area, as Fig. 21 shows. The trailing tapered surface 138 also further directs the perfusion of PRP gently from the more confined vortex flow pattern 130 toward the low-G wall 26 and into the sixth flow zone 140. The results are a more effective separation of PC from the PRP in the sixth flow zone 140.

The sixth flow zone 140 has a greater radial width than the PRP entry region 128. This greater radial width is desirable, because it provides greater volume for actual separation to occur.

The radial width of the PRP entry region 128 is believed to be important to optimize the benefits of the vortex flow pattern 130 in separating PC from PRP. If the radial width is too large (as shown in Fig. 21), the resulting vortex flow pattern 130' is not well confined and more vigorous. Platelets are held longer in the flow pattern 130, while also being subjected to higher shear stress.

On the other hand, if the radial width of the PRP entry region 128 is too small (as Fig. 22 shows), the increasing flow resistance, which increases in cubic fashion as the radial width

decreases, will cause the vortex pattern 130 to shift out of the region of small radial width into a region where a larger radial width and less flow resistance exists. Thus, the vortex flow pattern will not occur in the PRP entry region 128. Instead, the flow pattern 130' will form away from axial alignment with the PRP port 56, where a larger radial width, better conducive to vortex flow, is present. The effective length of the circumferential separation path is shortened, leading to reduce separation efficiencies.

Furthermore, the resulting, shifted vortex flow pattern 130 is likely not to be well confined and will thus subject the platelets to undesired shear stresses and dwell time.

The dimensionless parameter (λ) can be used to differentiate between a radial width that is too wide to provide well confined control of the vortex flow pattern 130 and reduced width that does. Disclosed in U.S. Patent 5,316,667, the dimensionless parameter (λ) accurately characterizes the combined attributes of angular velocity, channel thickness or radial width, kinematic viscosity, and axial height of the channel, expressed as follows:

$$\lambda = \frac{(2\Omega h^3)}{(vZ)}$$

25

where:

Ω is the angular velocity (in rad/sec);

h is the radial depth (or thickness) of the chamber (in cm);

30

v is the kinematic viscosity of the fluid being separated (in cm^2/sec); and

Z is the axial height of the chamber
(in cm).

It is believed that a reduced radial width
in the PRP entry region 128 sufficient to provide a
5 parameter $(\lambda) \leq 100$ will promote the desired
confined vortex flow conditions shown in Fig. 20.
A parameter (λ) of about 40 to 50 is preferred. Due
to a larger radial width in the sixth flow zone 140
(realizing that the angular velocity and the
10 kinematic viscosity of the PRP being separated
remain essentially the same) the parameter (λ) will
be significantly larger in the sixth flow zone 140.
Parameters (λ) typically can be expected in the
sixth flow zone 140 to be in the neighborhood of 500
15 and more.

It is believed that flow resistance,
expressed as the change in pressure per unit flow
rate, can be used to define the boundary at which a
narrower radial width in the PRP entry region 128
20 causes shifting of the vortex flow pattern 130, as
Fig. 22 shows. Empirical evidence suggests that
vortex flow shifting will occur in the region 128
when flow resistance in the vortex reaches about 90
dyne sec/cm^4 , which is equivalent to the flow
25 resistance plasma encounters flowing at 30 ml/min in
a space that is 0.1 cm wide, 1.0 cm long, and 5.0 cm
high, while being rotated at 3280 RPM.

The juxtaposed surface contours of the
high-G and low-G walls 24 and 26 further create the
30 sixth dynamic flow zone 140 beyond the PRP entry
region 128 of the second compartment 40. Here, the
surface 141 of the low-G wall 26 tapers outward away
from the axis of rotation 28 toward the high-G wall
24 in the direction of perfused PRP flow in the
35 second compartment 40. In this zone 140, the high-G

wall 24 retains a constant radius.

The tapered low-G wall 26 in the sixth flow zone 140 provides a greater radial width where a substantial majority of PC separation occurs. Typically, most of PC separation occurs in the first half segment of the sixth flow zone 140. The PC deposit along the high-G wall 24 in great amounts in this half-segment of the sixth flow zone 140, creating a layer along the high-G wall 24 in this half-segment as much as 1 mm in thickness. The greater radial width in this half-segment of the sixth flow zone accommodates the concentrated volume of PC without adversely reducing the necessary separation volume.

In the illustrated and preferred embodiment, the dog-leg portion 124 of the associated PPP collection passage 126 is tapered.

As with the taper of the dog leg portion 70, the taper of the dog-leg portion 124 is preferably gauged relative to the taper of the low-G wall 26 to keep fluid resistance within the PPP collection passage 126 relatively constant. The taper also facilitates the removal of air from the passage 126 during priming.

As Figs. 8 and 10 best shows, the surface 142 of the low-G wall 26 of the spool element 18 between the first flow zone 82 (in the first compartment 38) and the fifth flow zone 134 (in the second compartment 40) tapers away from the high-G wall 24 in the direction from the fifth zone 134 toward the first zone 82. The radial facing surface of the high-G wall 24 remains iso-radial. The portion of the PPP collection passage 126 axially aligned with the PPP collection port 54 (in the second compartment 40) and the portion of the RBC

collection passage 78 axially aligned with the RBC collection port 52 (in the first compartment 38) are carried between this low-G surfaces 142 and the opposed high-G wall. The surface 142 provides a smooth transition between the PRP entry region 128 and the WB entry region 74.

Fig. 23 shows radii A to G for the principal surface regions described above along the spool element 18 and the bowl element 20. The following table lists the dimensions of these radii in a preferred implementation:

Radii	Dimension (inches)
A	0.035
B	3.062
C	3.068
D	2.979
E	3.164
F	3.070
G	2.969

The axial height of the surfaces in the preferred implementation is 3.203 inches.

In a preferred implementation (see Fig. 14), the surface 84 projects from the high-G wall for a distance (dimension H in Fig. 14) of .268 inch. The circumferential length of the surface 84 (dimension I in Fig. 14) is .938 inch, and the length of the tapered surface 86 (dimension J in Fig. 14) is .343 inch. The angle of the tapered surface 86 is 29 degrees.

In a preferred implementation (see Fig. 9), the surface 106 projects from the high-G wall for a distance (dimension K in Fig. 9) of .103 inch. The

circumferential length of the surface 106 (dimension L in Fig. 9) is 1.502 inches.

Various features of the inventions are set forth in the following claims.

I claim:

1. A chamber for rotation about a rotational axis to separate blood components comprising

5 first and second spaced apart side walls forming a separation zone, the first wall being closer to the rotational axis than the second wall, the separation zone defining a separation path having a radial width, the separation path extending generally circumferentially about the axis of rotation,

10 an inlet to convey blood into the separation zone along an entry path that extends generally parallel to the axis of rotation, the blood moving in a vortex flow pattern in the entry path for perfusion into the separation path and separation into component parts, and

15 the first wall including a stepped-up ridge along the entry path to establish along the entry path a radial width less than the radial width of the separation path to thereby confine the vortex flow pattern.

2. A chamber according to claim 1

5 wherein the first wall further includes a tapered surface leading from the stepped up ridge in the direction of perfusion of blood to direct the perfusion toward the first wall and into the separation path.

3. A chamber according to claim 1 or 2

wherein the second wall is iso-radial in the entry path.

4. A chamber according to claim 1 or 2

wherein the second wall is iso-radial in the separation path.

5. A chamber according to claim 4

wherein the second wall is iso-radial in the entry path.

6. A chamber according to claim 1 and further including an outlet to convey at least one of the separated component parts from the separation path along an exit path that extends generally parallel to the axis of rotation.

7. A method for separating blood components comprising the steps of rotating first and second spaced apart side walls forming a separation zone about a rotational axis, the first wall being closer to the rotational axis than the second wall, the separation zone defining a separation path having a radial width, the separation path extending generally circumferentially about the axis of rotation,

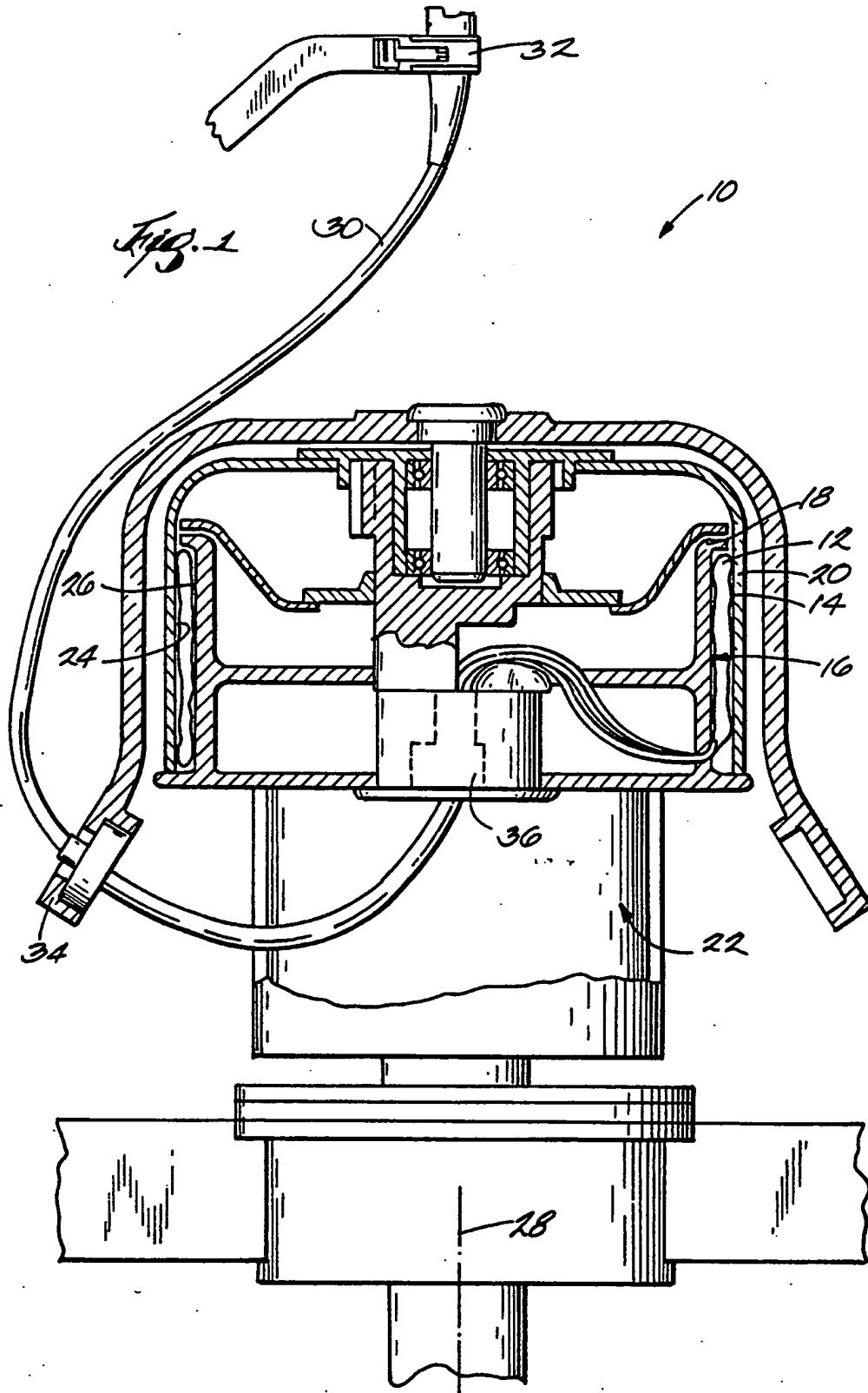
conveying blood into the separation zone along an entry path that extends generally parallel to the axis of rotation to establish a vortex flow pattern in the entry path that perfuses blood into the separation path for separation into component parts,

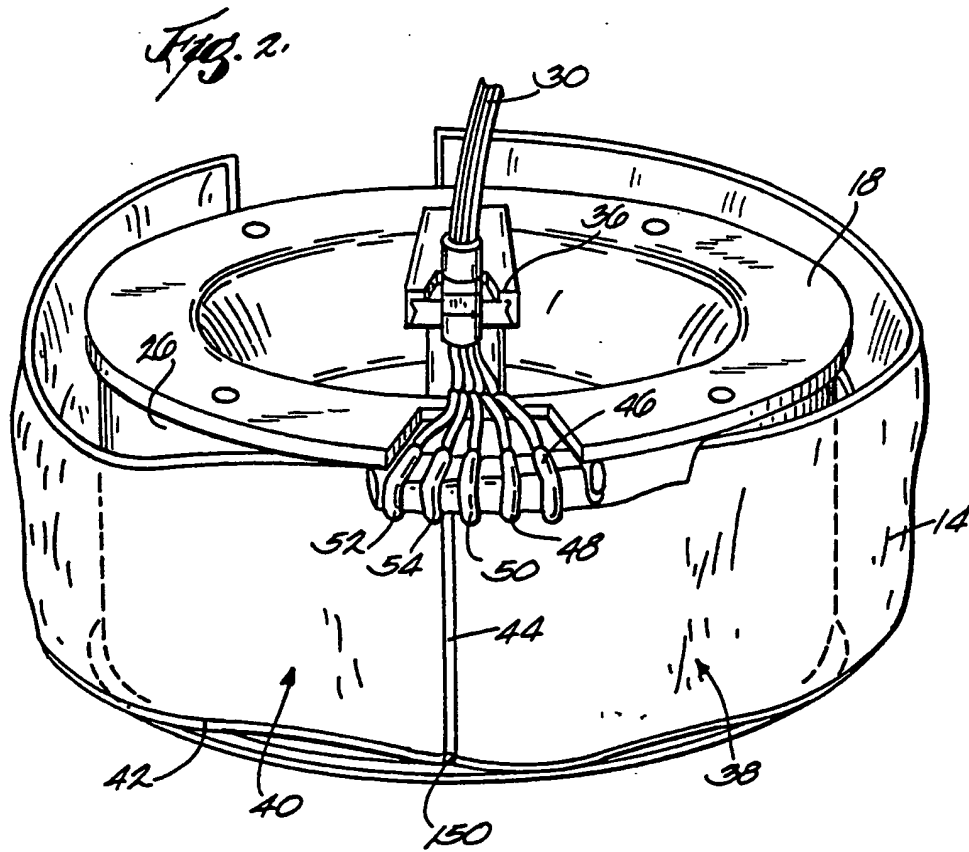
confining the vortex flow pattern along the entry path by providing in the first wall a stepped-up ridge along the entry path, thereby reducing the radial width of the entry path.

8. A method according to claim 7 and further including the step of directing the perfusion of blood from the stepped-up ridge toward the first wall along a tapered surface that leads to the separation path.

9. A method according to claim 7 and further including the step of conveying at least one of the separated component parts from the separation path along an exit path that extends

5 generally parallel to the axis of rotation.





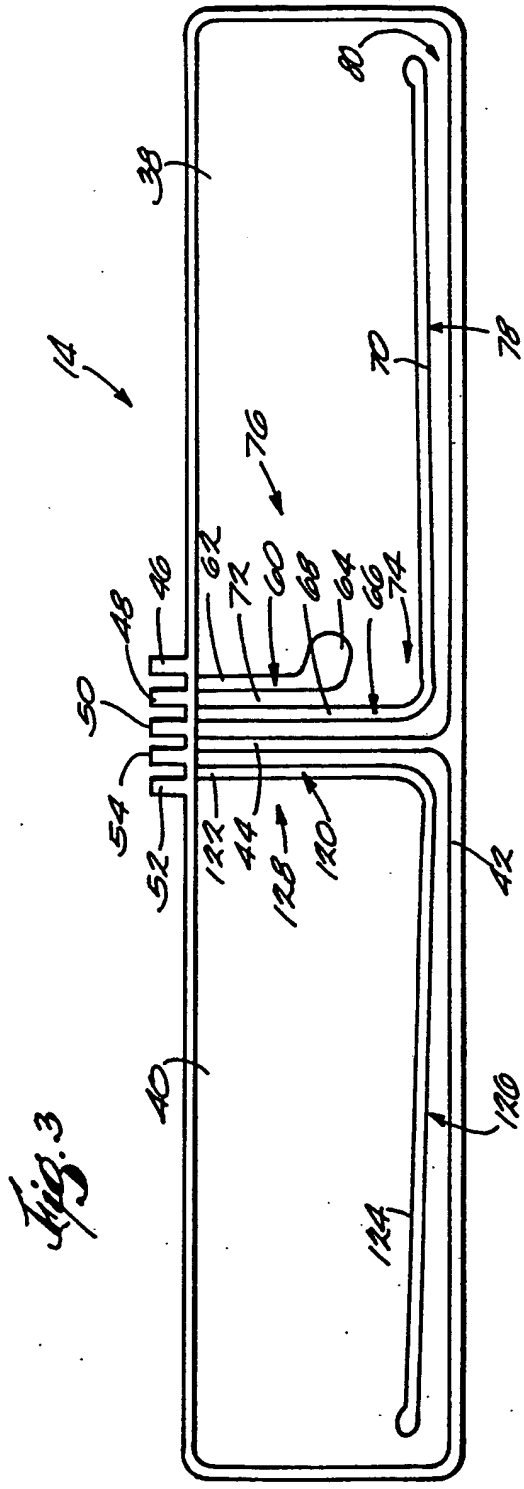


Fig. 3

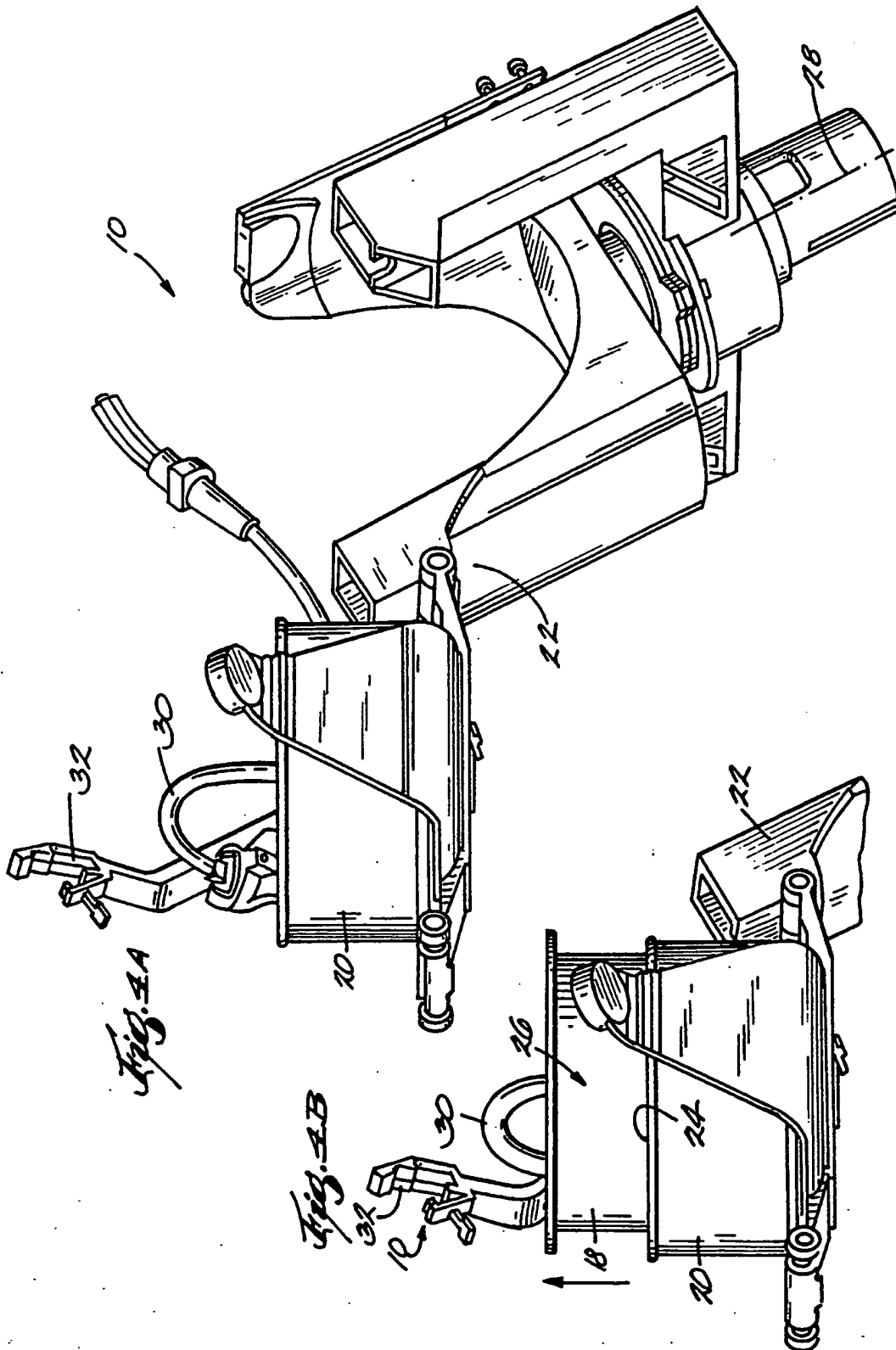
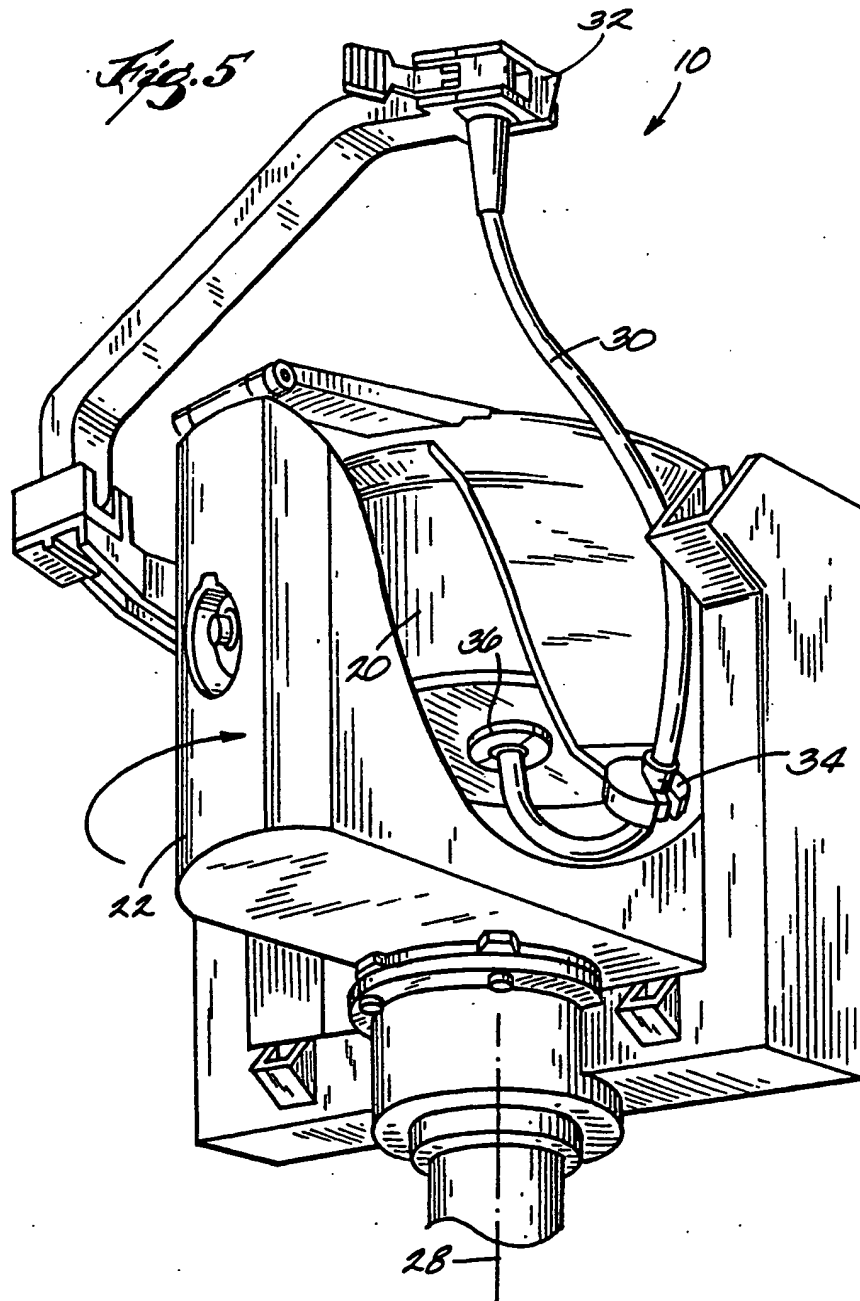


Fig. 4A

Fig. 4B



SUBSTITUTE SHEET (RULE 26)

Fig. 6

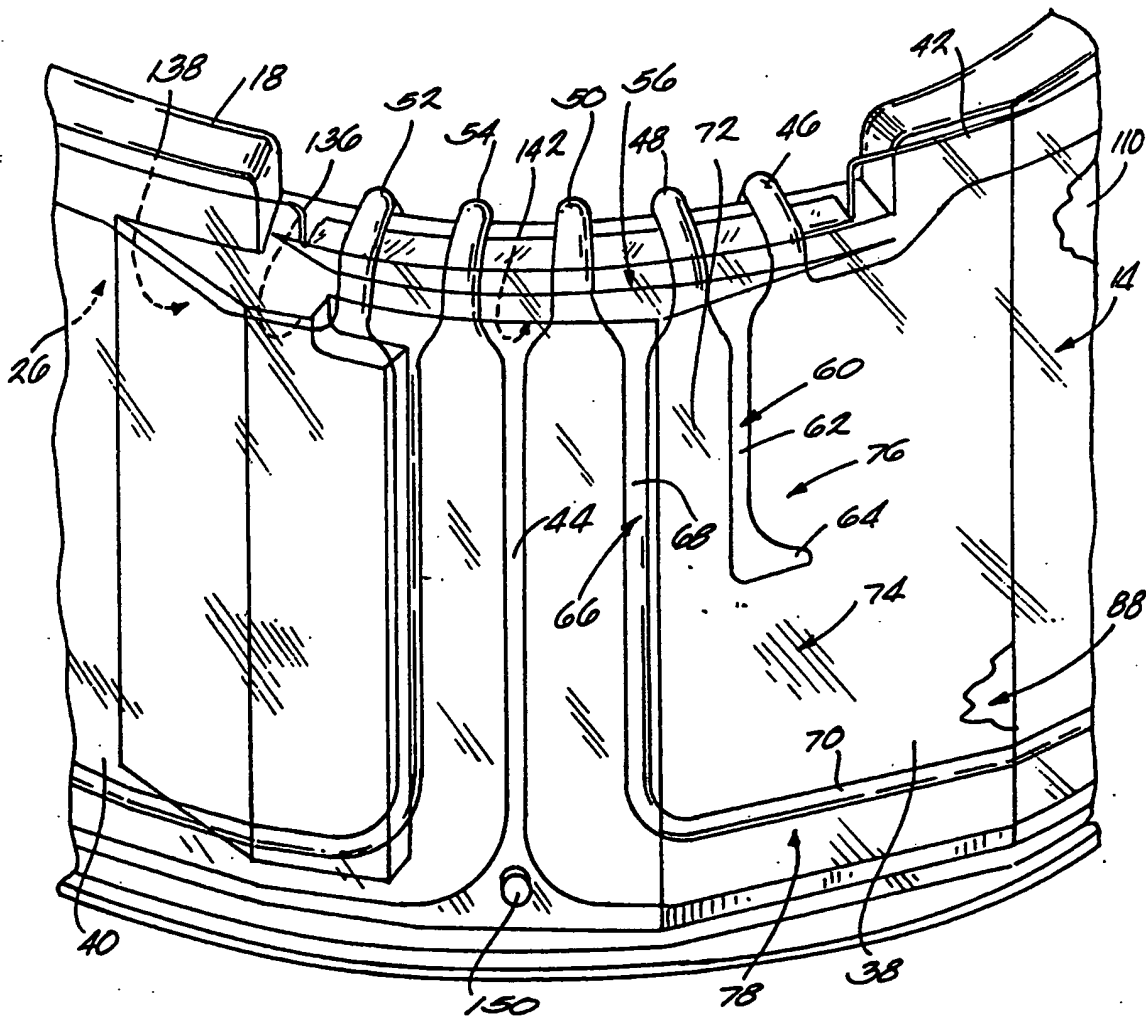
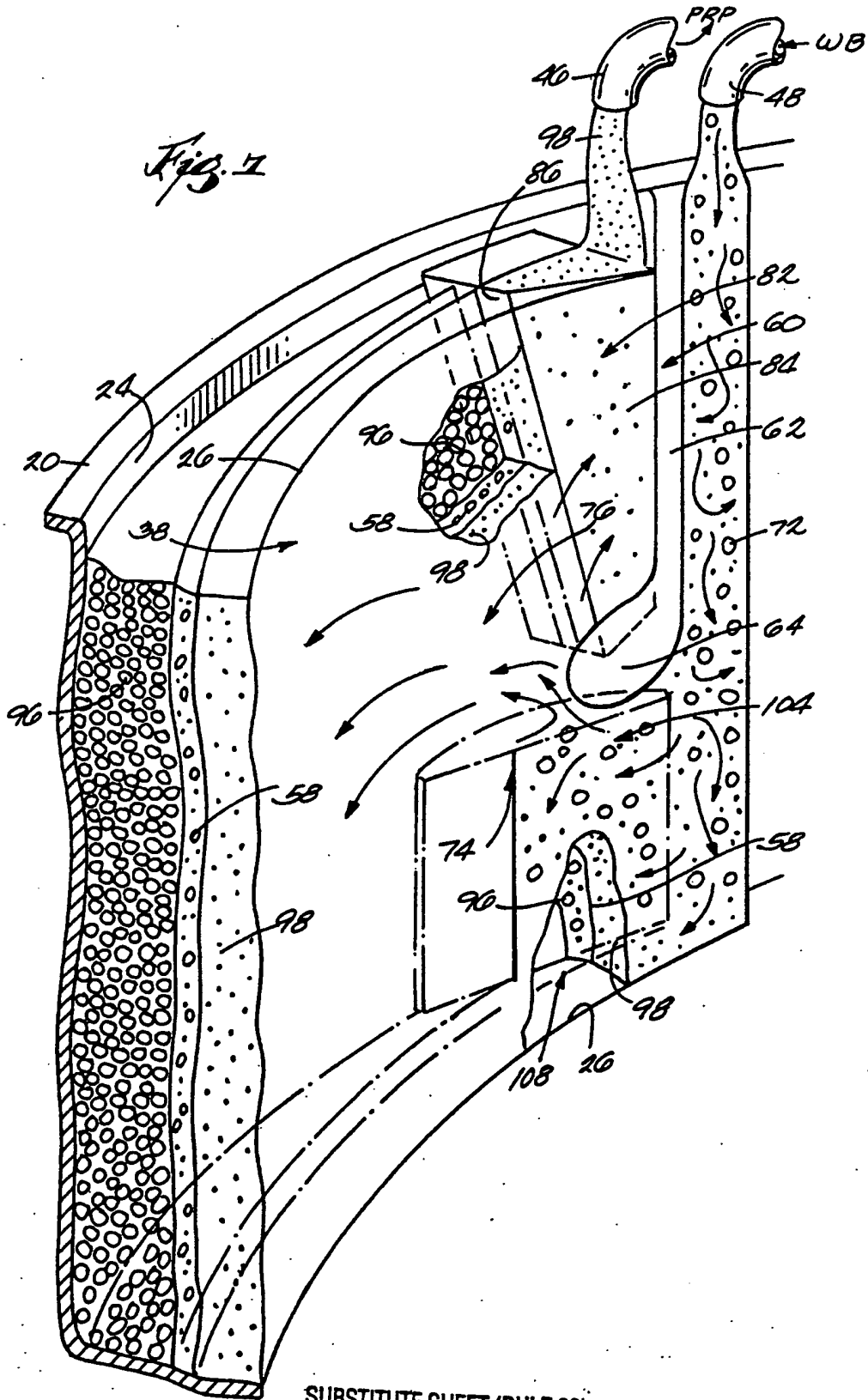
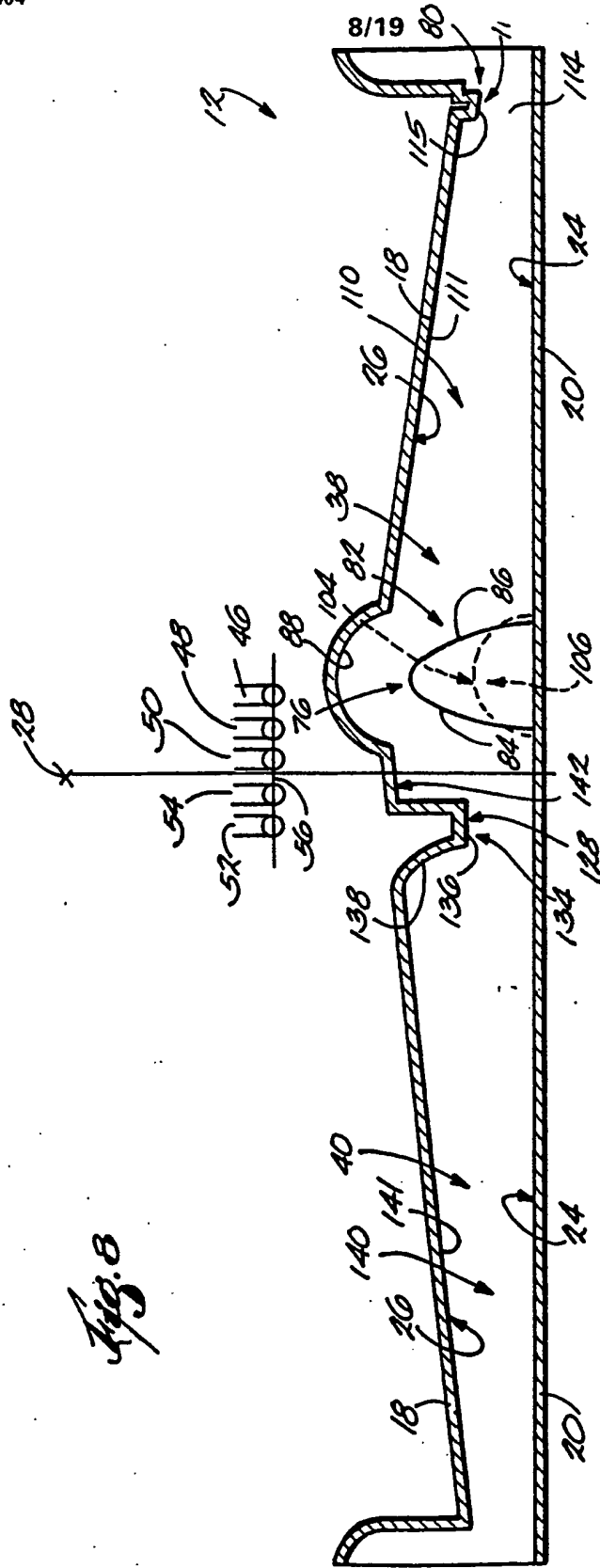


Fig. 7



SUBSTITUTE SHEET (RULE 26)



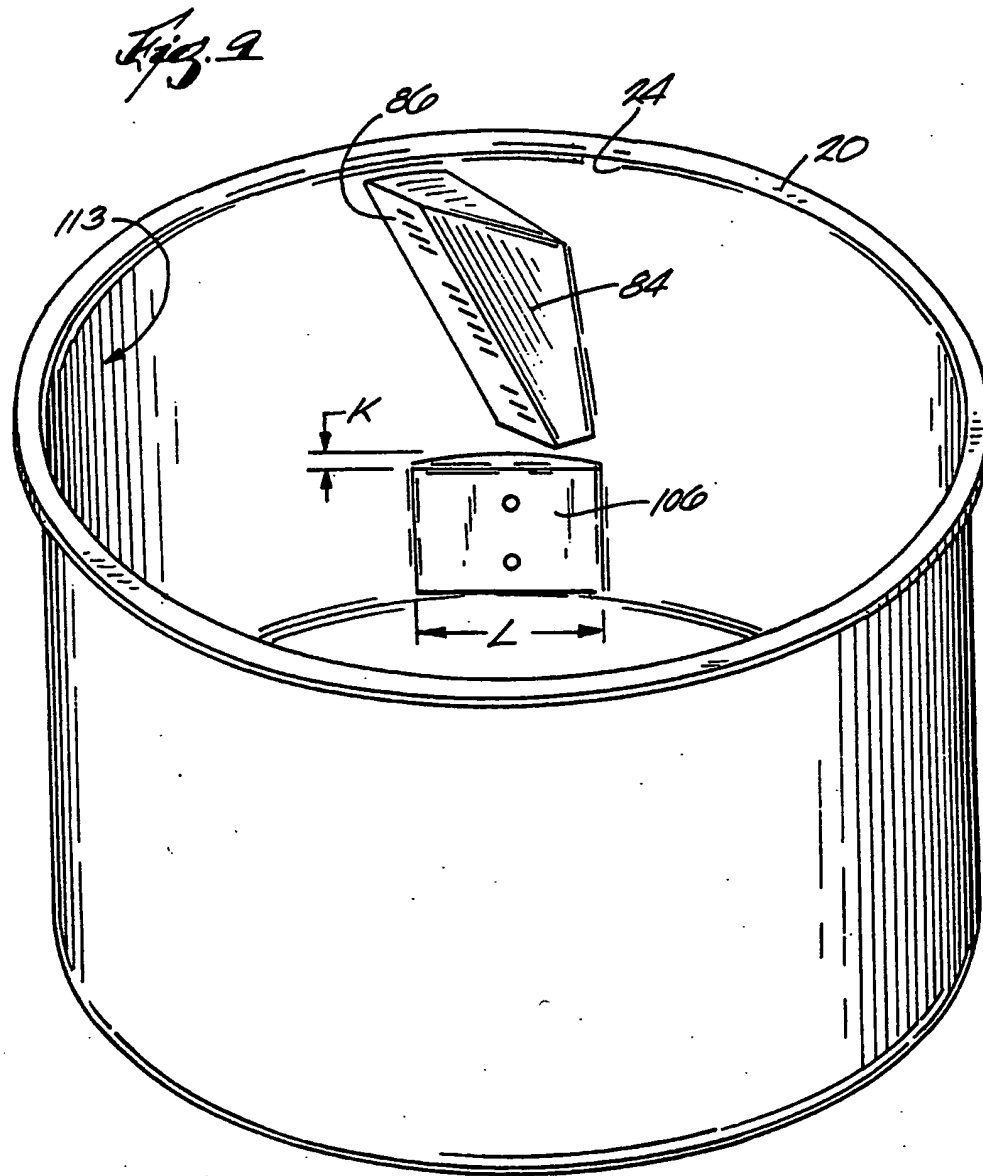


Fig. 10

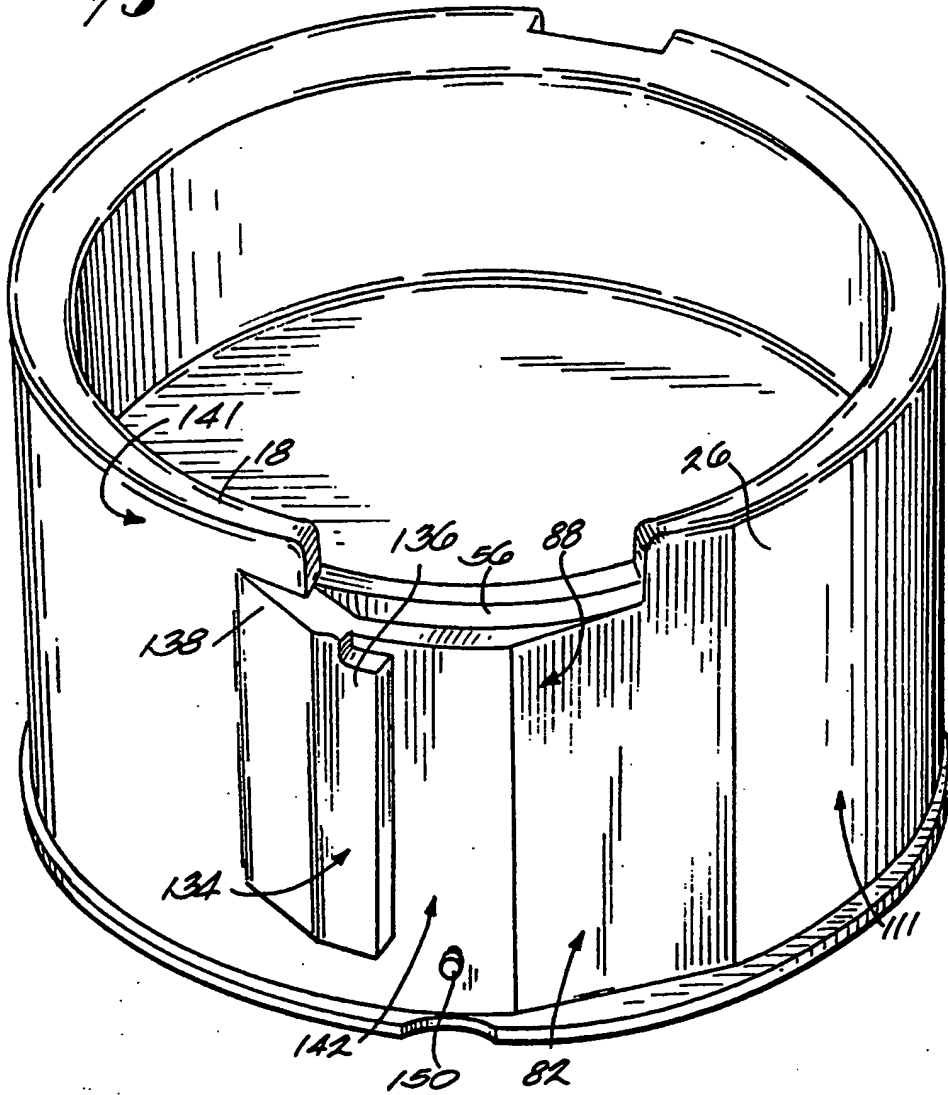


Fig. 11

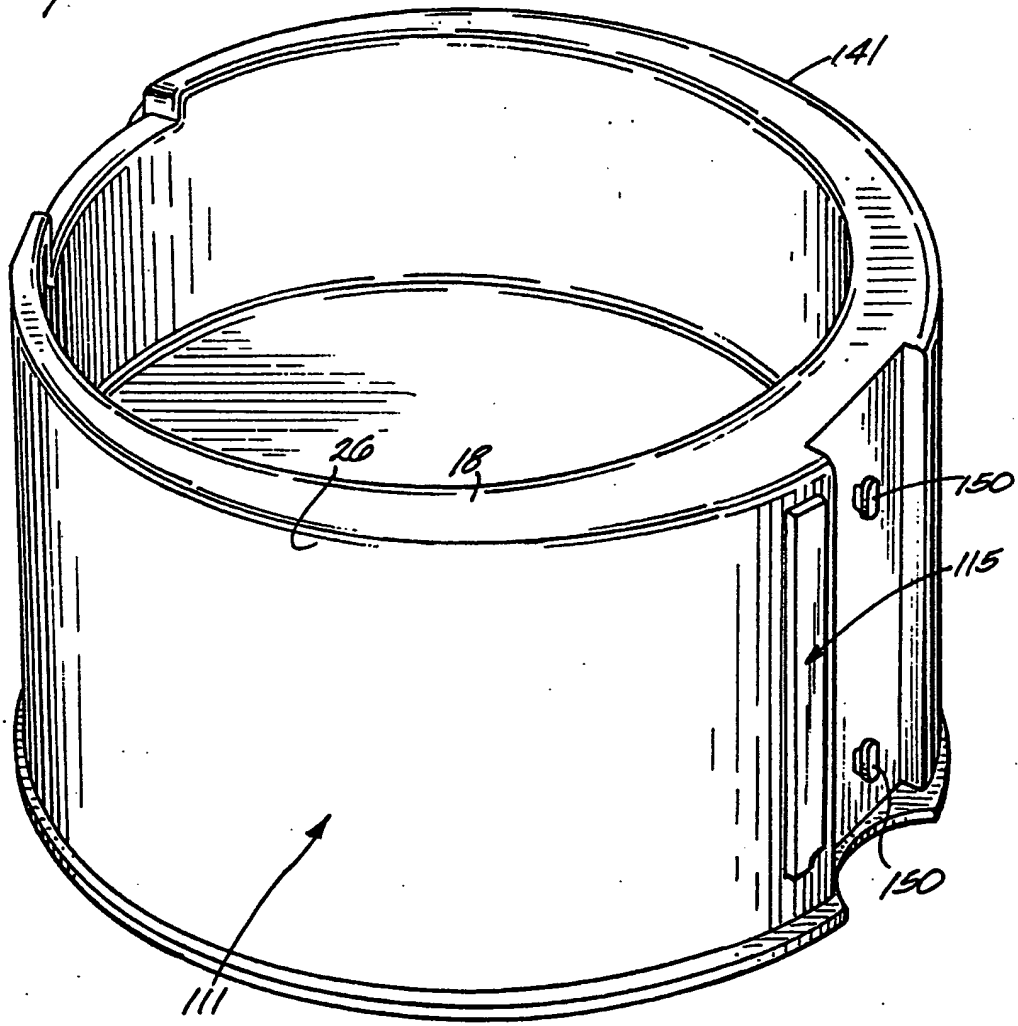
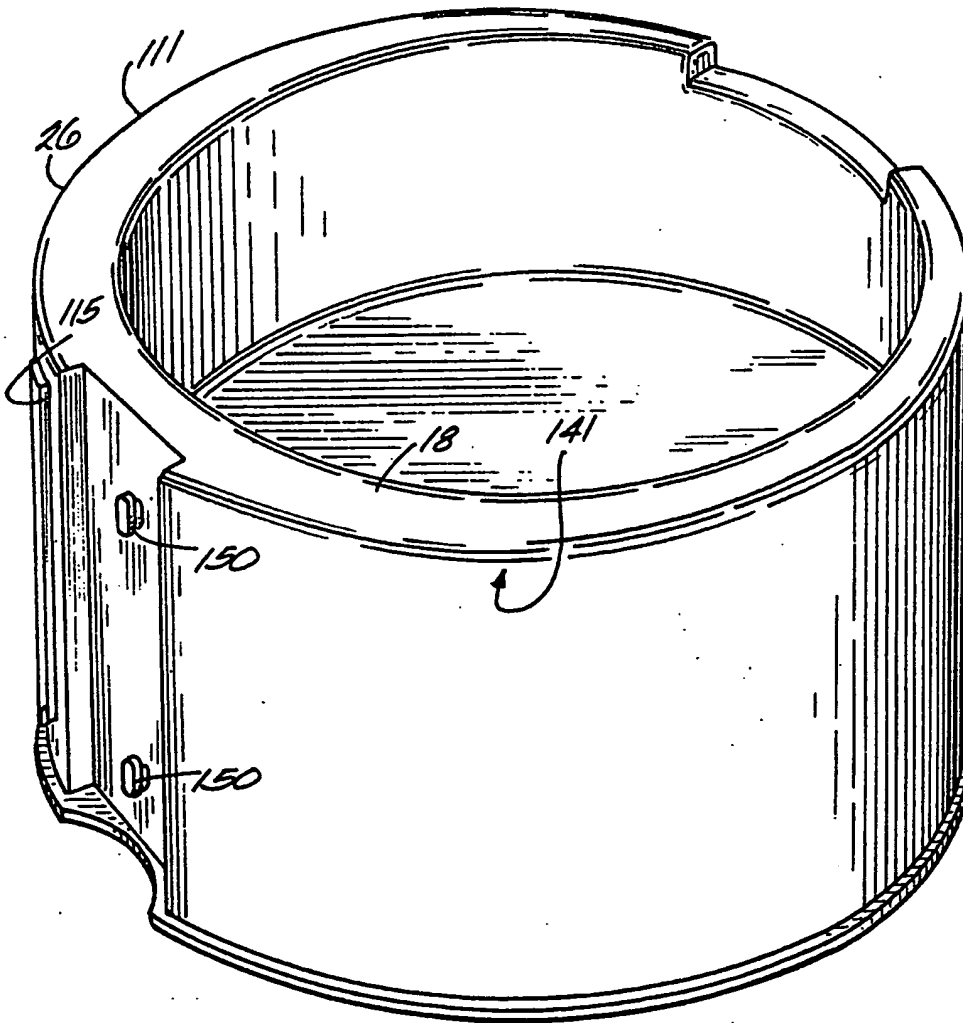
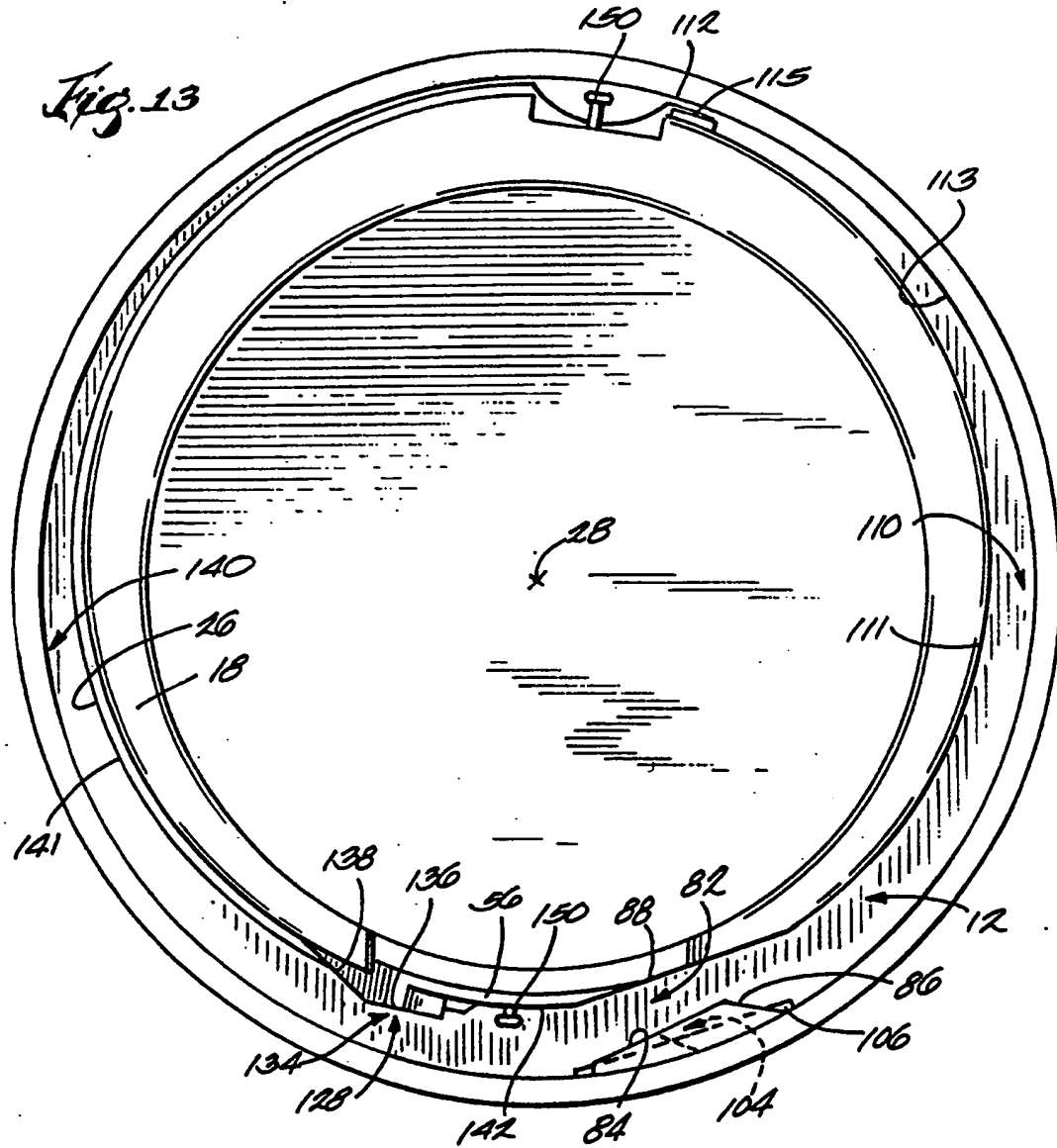
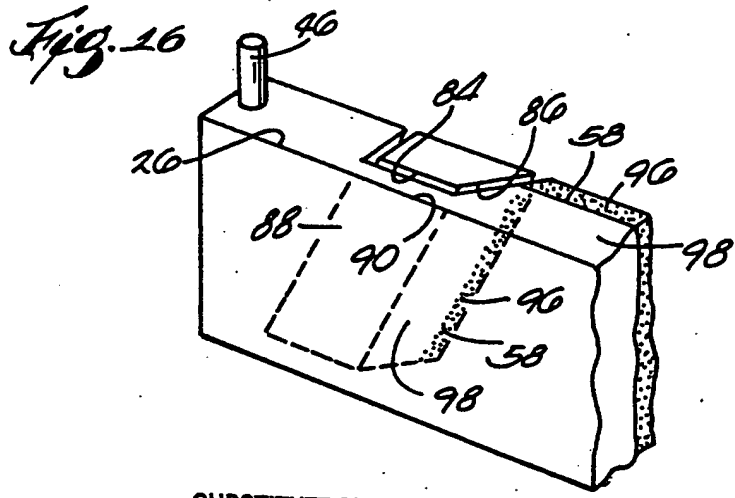
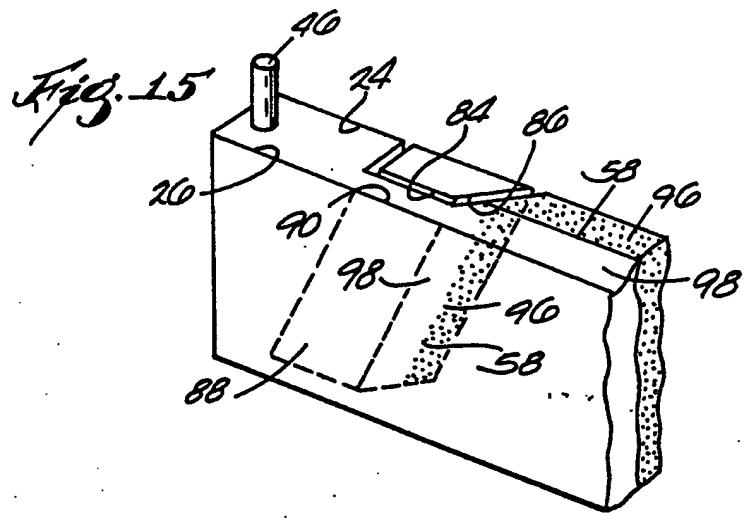
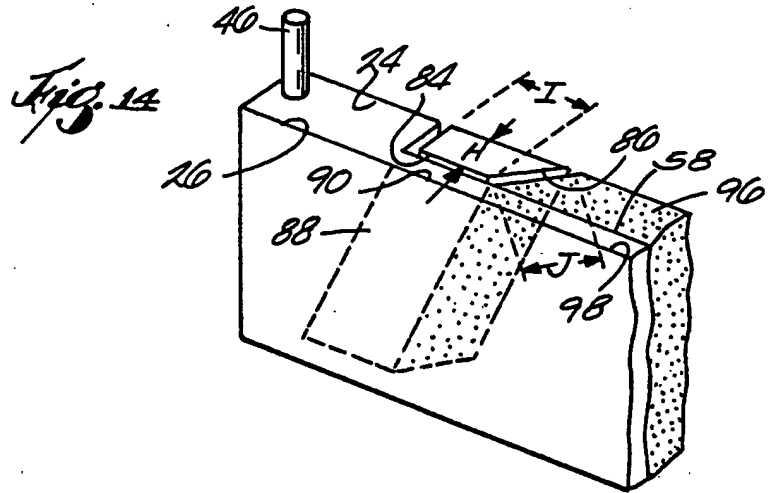
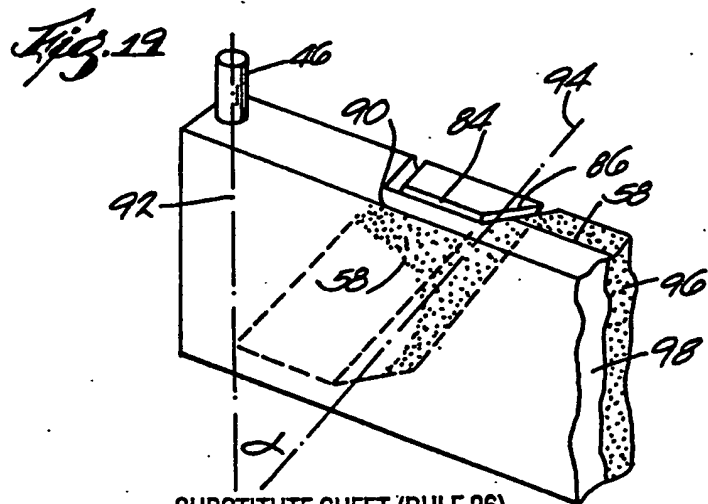
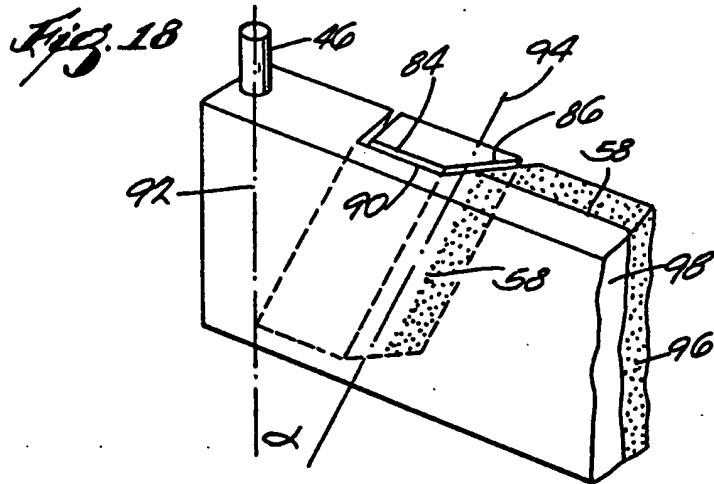
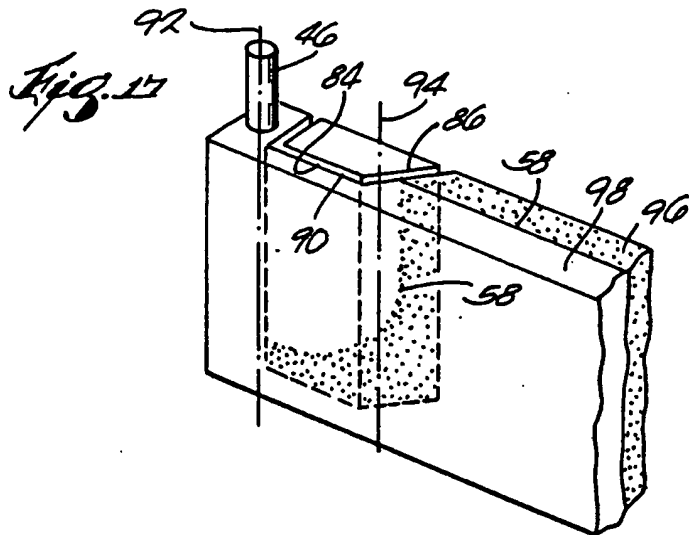


Fig. 12.

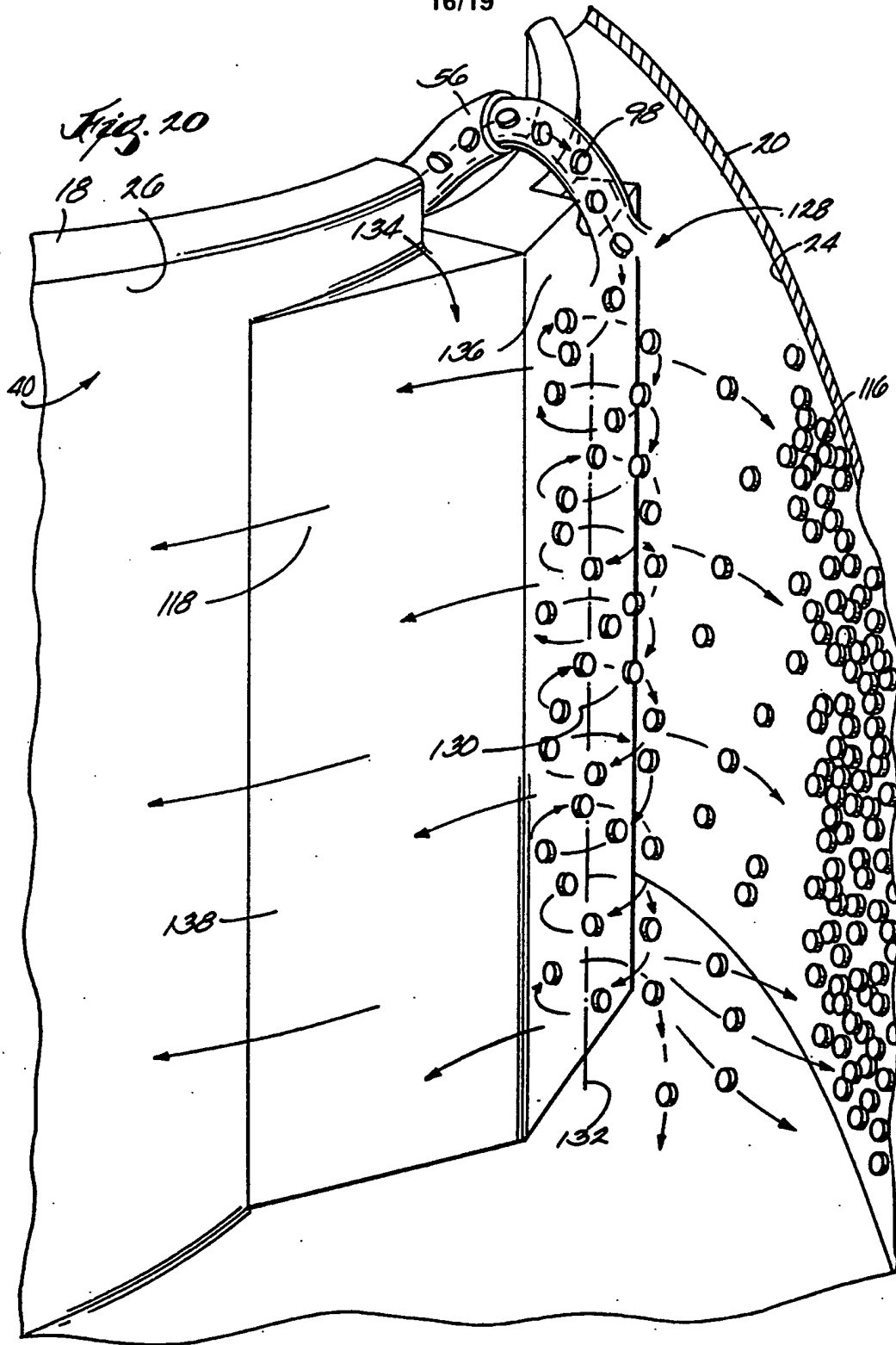


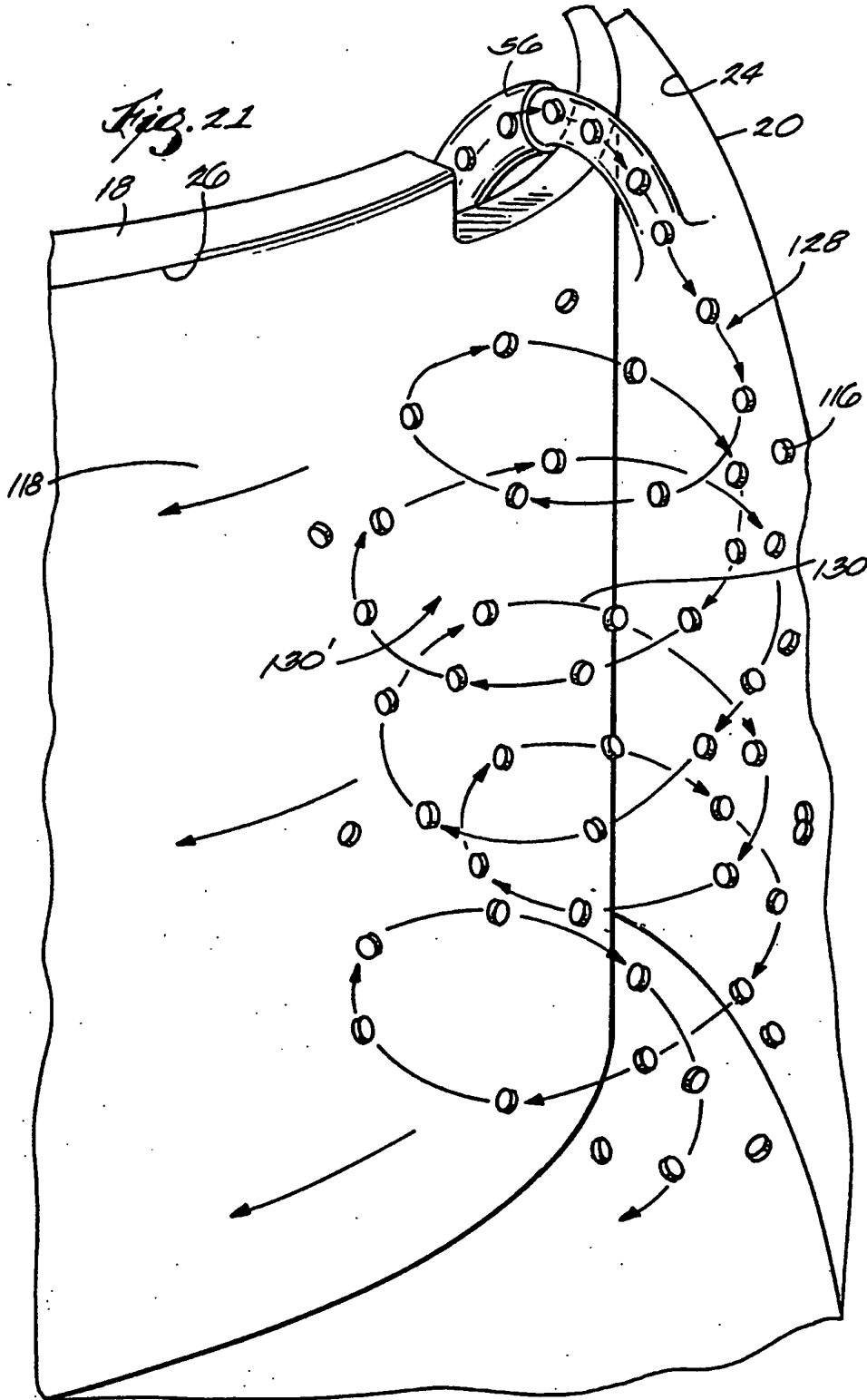






SUBSTITUTE SHEET (RULE 26)





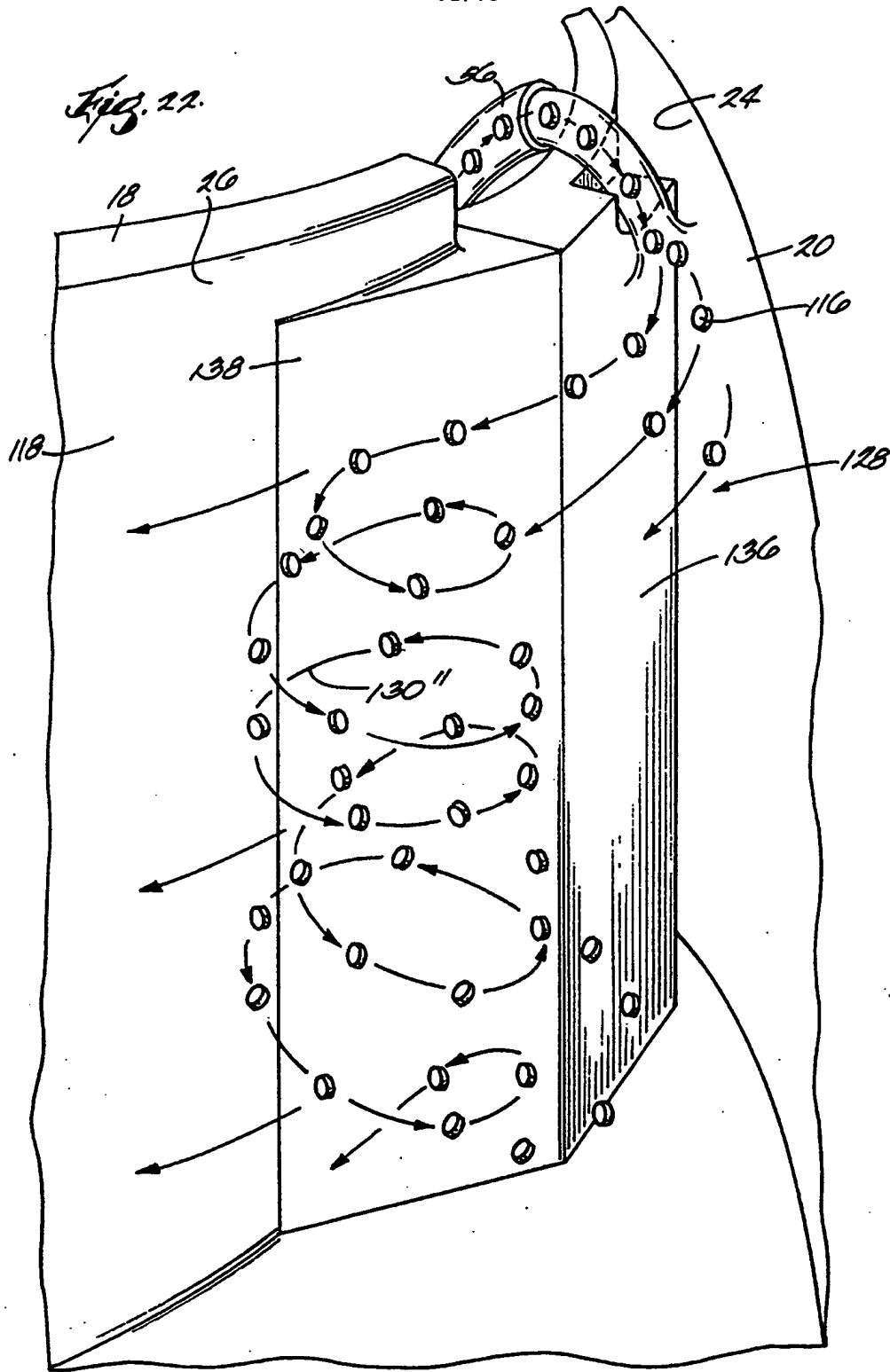
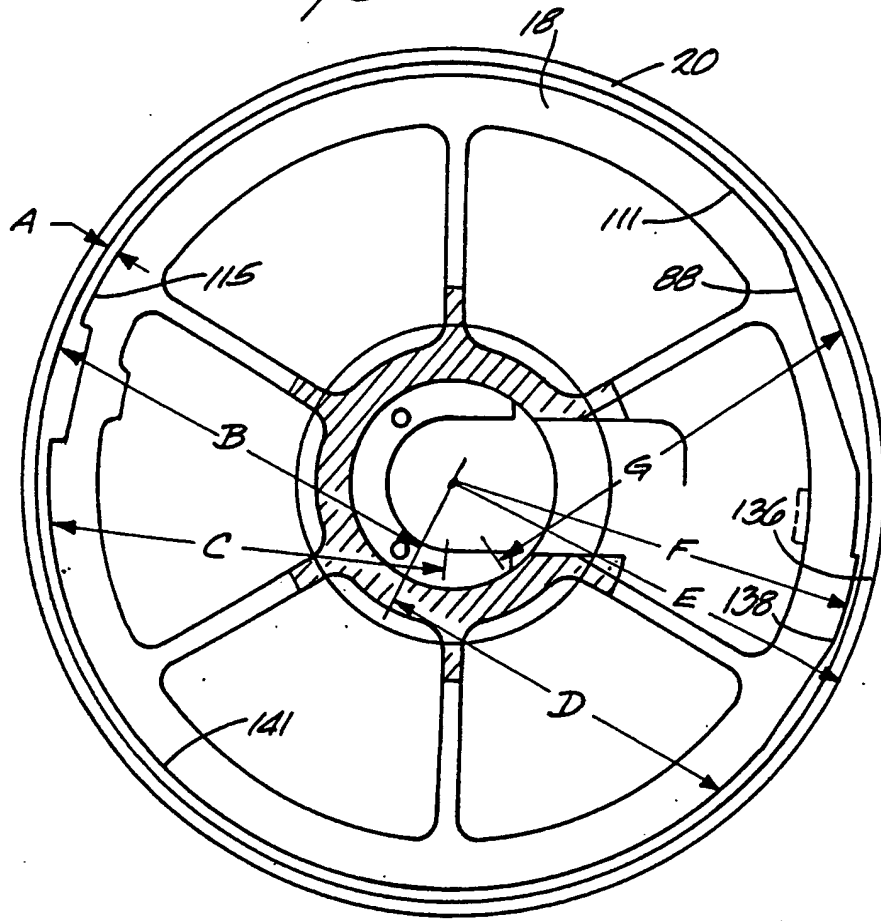


Fig. 23



INTERNATIONAL SEARCH REPORT

International application No.

PCT/US96/07806

A. CLASSIFICATION OF SUBJECT MATTER IPC(6) :BO1D 21/26 US CL :Please See Extra Sheet. According to International Patent Classification (IPC) or to both national classification and IPC		
B. FIELDS SEARCHED Minimum documentation searched (classification system followed by classification symbols) U.S. : 210/94, 95, 103, 110, 194, 360.1, 369, 380.1, 739, 781, 784, 787; 55/274, 407; 422/101; 494/3, 10, 18, 37, 45; 604/4, 6 Documentation searched other than minimum documentation to the extent that such documents are included in the fields searched Electronic data base consulted during the international search (name of data base and, where practicable, search terms used)		
C. DOCUMENTS CONSIDERED TO BE RELEVANT		
Category*	Citation of document, with indication, where appropriate, of the relevant passages	Relevant to claim No.
X	US, A, 4,387,848 (KELLOG ET AL.) 14 June 1983, col. 3, line 9 to col. 4, line 6.	1-9
<input type="checkbox"/> Further documents are listed in the continuation of Box C. <input type="checkbox"/> See patent family annex.		
* Special categories of cited documents: *A* document defining the general state of the art which is not considered to be of particular relevance *E* earlier document published on or after the international filing date *L* document which may throw doubts on priority claim(s) or which is cited to establish the publication date of another citation or other special reason (as specified) *O* document referring to an oral disclosure, use, exhibition or other means *P* document published prior to the international filing date but later than the priority date claimed *T* later document published after the international filing date or priority date and not in conflict with the application but cited to understand the principle or theory underlying the invention *X* document of particular relevance; the claimed invention cannot be considered novel or cannot be considered to involve an inventive step when the document is taken alone *Y* document of particular relevance; the claimed invention cannot be considered to involve an inventive step when the document is combined with one or more other such documents, such combination being obvious to a person skilled in the art *&* document member of the same patent family		
Date of the actual completion of the international search 08 AUGUST 1996		Date of mailing of the international search report 04 SEP 1996
Name and mailing address of the ISA/US Commissioner of Patents and Trademarks Box PCT Washington, D.C. 20231 Facsimile No. (703) 305-3230		Authorized officer DAVID A. REIFSNYDER Telephone No. (703) 308-0456

INTERNATIONAL SEARCH REPORT

International application No.

PCT/US96/07806

A. CLASSIFICATION OF SUBJECT MATTER:

US CL :

210/94, 95, 103, 110, 194, 360.1, 369, 380.1, 739, 781, 784, 787; 55/274, 407; 422/101; 494/3, 10, 18, 37, 45;
604/4, 6